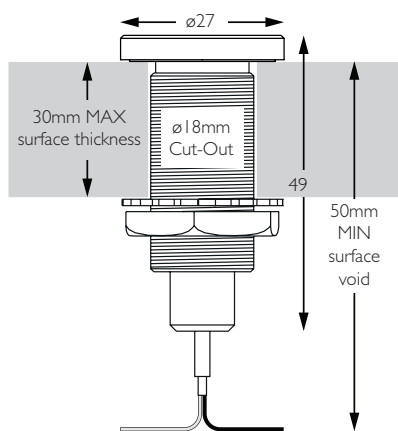
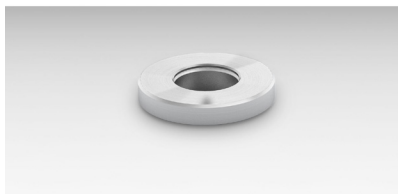


TECHNICAL DESCRIPTION

The Node Minipoint system is a mounting solution for ever-changing installations. Perfect for retail and display case applications, the Node Minipoint allows jack luminaires to be plugged and unplugged in seconds. The Node Minipoint has a small $\varnothing 18\text{mm}/\text{M17}$ cut-out and only a 50mm minimum surface void depth. With multiple material finishes of decorative covers, this versatile mounting option provides an adaptable aesthetic. The Node Minipoint is available with a Blanking plug accessory to allow circuits to be closed and the system to be protected when not in use.



CATEGORY Interior use only IP20

MATERIAL Machined Aluminium

DEC. COVER FINISH Brushed Aluminium | White | Black | Rubbed Bronze* | Polished Brass* | Brushed Brass* | Custom RAL *

SYSTEM Jack Minipoint

ACCESSORIES Decorative covers | Minipoint Plug

LED TYPE Constant current

CUT OUT HOLE $\varnothing 18\text{mm} / \text{M17}$

MINIMUM SURFACE VOID DEPTH 50mm

MAXIMUM MATERIAL THICKNESS 30mm

WEIGHT AL/WH/BK/EBA - 27g | RB/PB/SB - 32g

* All custom & premium finishes are built and finished to order. These are subject to an extended lead time.

LUMINAIRE COMPATIBILITY



771 Atto Jack **772** Atto T Jack **773** Atto S Jack

RAN AT 350mA ONLY



801 Pico Jack **802** Pico S Jack **804** Pico Long Snoot Jack

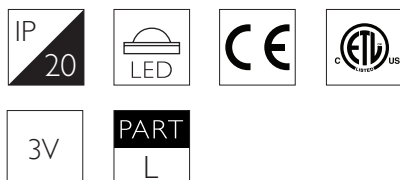


805 Pico Long Snoot S Jack **806** Pico Zoom Jack **807** Pico Zoom S Jack



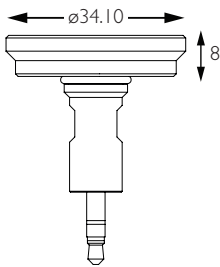
808 Pico Plus Jack **809** Pico Plus S Jack

RAN AT 700mA ONLY



AL	M-A-AL
WH	M-A-WH
BK	M-A-BK
EBA	M-A-EBA
RB	M-A-RB
PB	M-A-PB
SB	M-A-SB

ACCESSORIES



BLANKING PLUG

Blanking plug accessory allows Minipoint system circuits to be closed and the system to be protected when not in use.

CATEGORY Interior use only IP20

MATERIAL Machined Aluminium

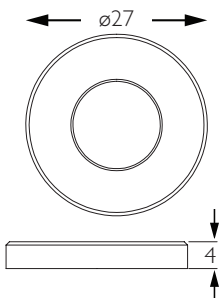
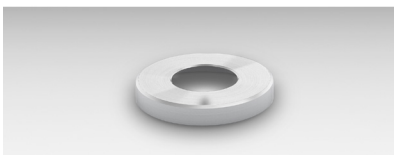
FINISH Brushed Aluminium | White | Black | Rubbed Bronze* | Polished Brass* | Brushed Brass* | Custom RAL *

SYSTEM Jack Minipoint

WEIGHT AL/WH/BK/EBA - 15g | RB/PB/SB - 32g

* All custom & premium finishes are built and finished to order. These are subject to an extended lead time.

AL	770-BPA-AL
WH	770-BPA-WH
BK	770-BPA-BK
EBA	770-BPA-EBA
RB	770-BPA-RB
PB	770-BPA-PB
SB	770-BPA-SB



DECORATIVE COVER

The Decorative Cover allows for the Node Minipoint's aesthetic to be easily altered and updated, providing a cohesive system appearance with whichever Jack luminaire used.

CATEGORY Interior use only IP20

MATERIAL Machined Aluminium

FINISH Brushed Aluminium | White | Black | Rubbed Bronze* | Polished Brass* | Brushed Brass* | Custom RAL *

SYSTEM Jack Minipoint

WEIGHT AL/WH/BK/EBA - 1g | RB/PB/SB - 5g

* All custom & premium finishes are built and finished to order. These are subject to an extended lead time.

AL	770-DC-AL
WH	770-DC-WH
BK	770-DC-BK
EBA	770-DC-EBA
RB	770-DC-RB
PB	770-DC-PB
SB	770-DC-SB